

MAINS INPUT

LAMP CIRCUITRY

3 WAY INPUT TERMINAL STRIP

SOLID STATE ELECTRONIC FUSE

INTERFERENCE SUPPRESSION

2 WAY OUTPUT TERMINAL STRIP

40VA MAINS TRANSFORMER

2 WAY INPUT TERMINAL STRIP

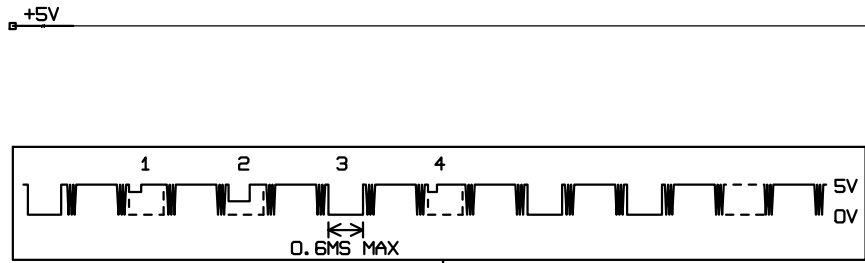
BRIDGE RECTIFIER

VOLTAGE DROPPING RESISTOR
+5V RAIL RESERVOIR CAPACITOR

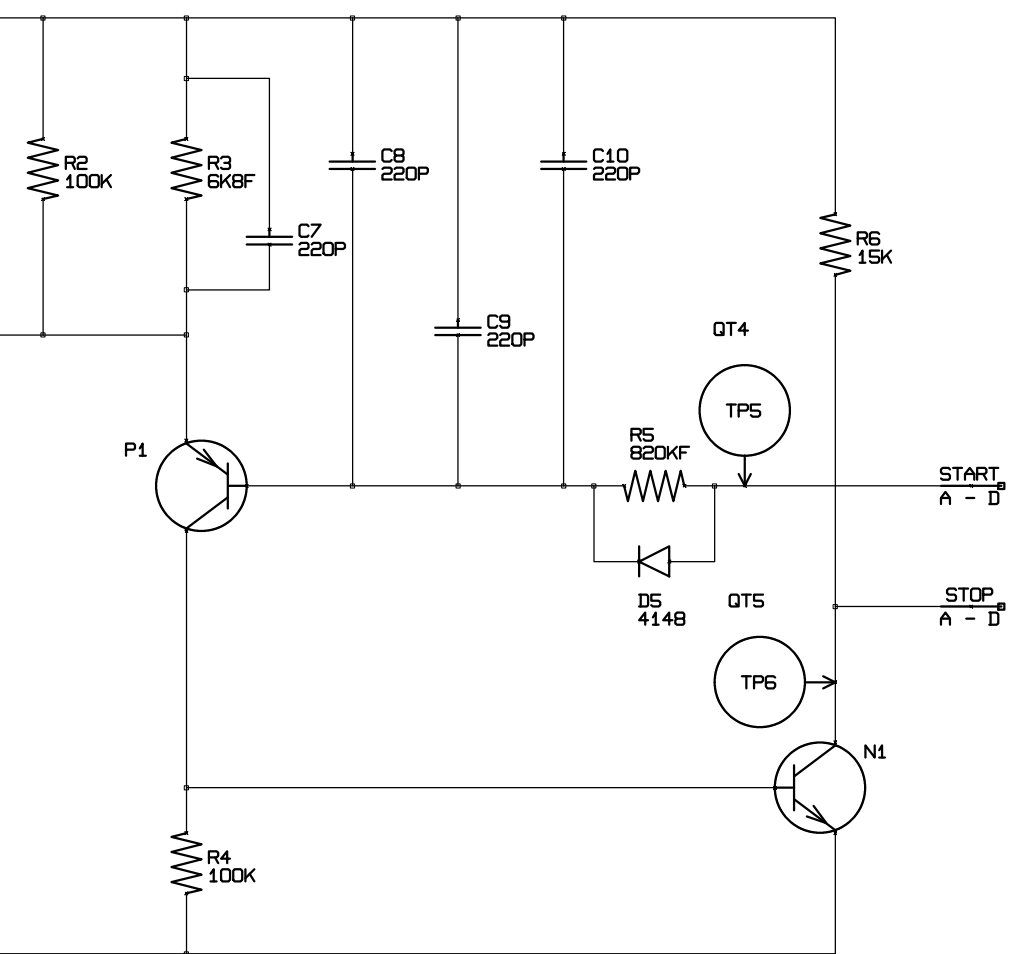
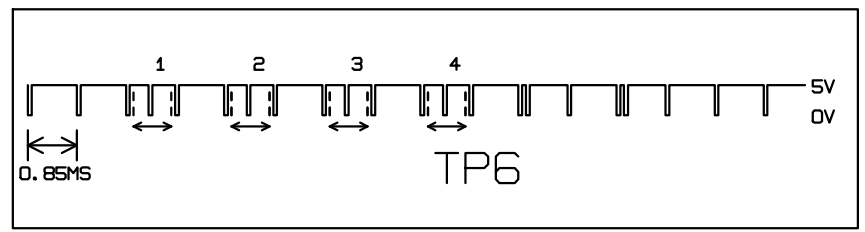
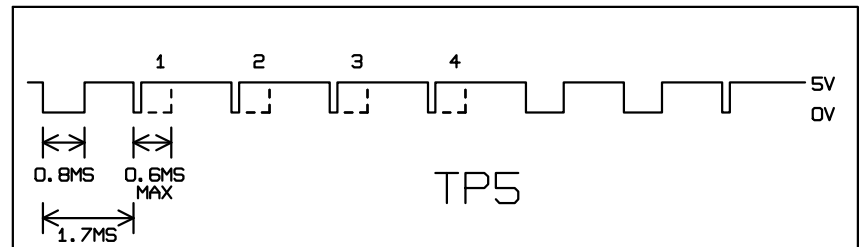
+5V REGULATOR WITH HEATSINK

5V
RAIL
CAPACITORS

FROM SERIAL NO: 3851 TO:



MUX-D 5V = 0V AT DIN SKT
ANALG 2V5 = 10V AT DIN SKT
PG6



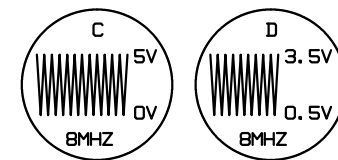
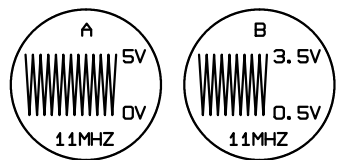
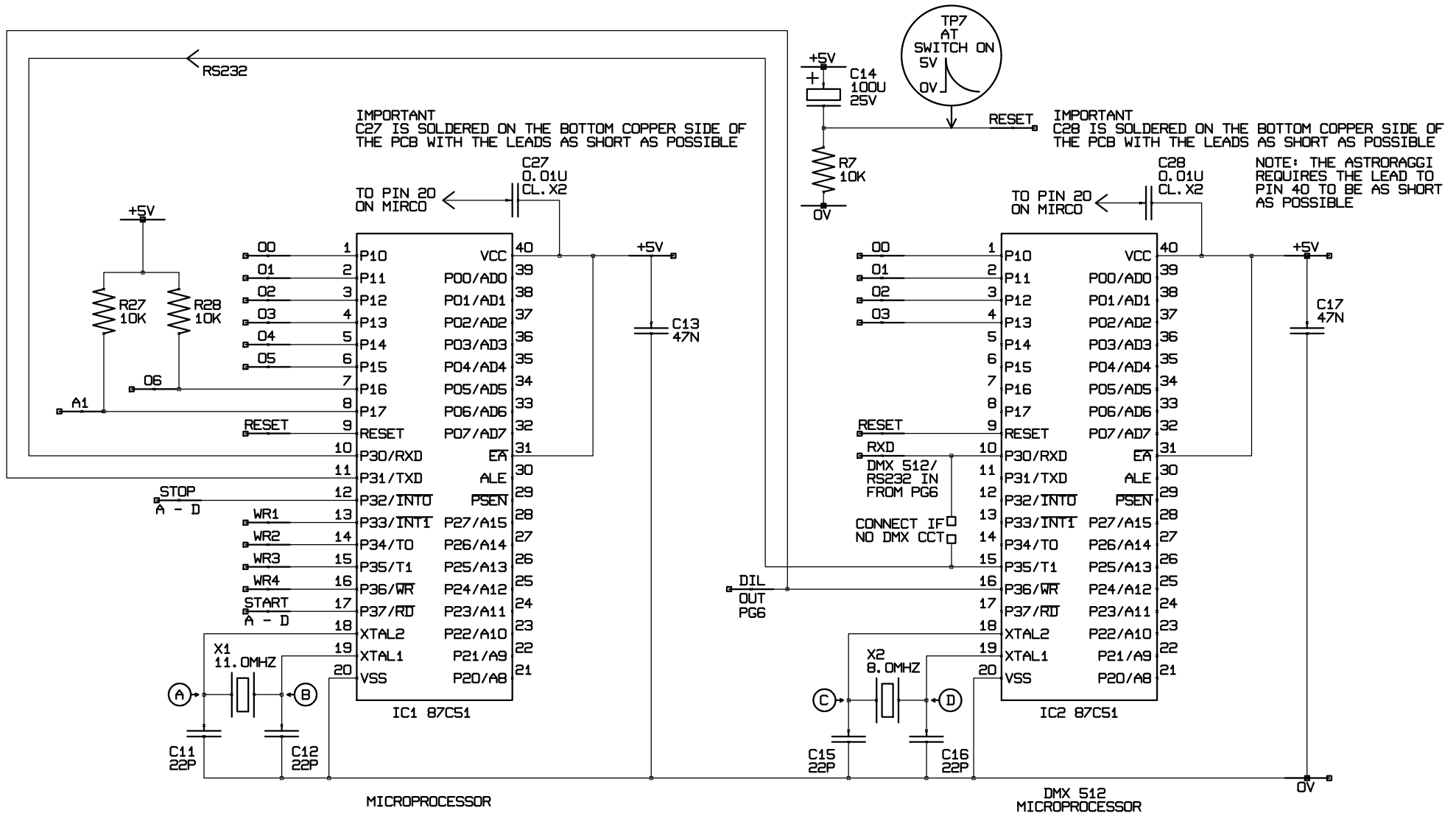
LEVEL DETECT

TIMING RAMP

RESET DIODE

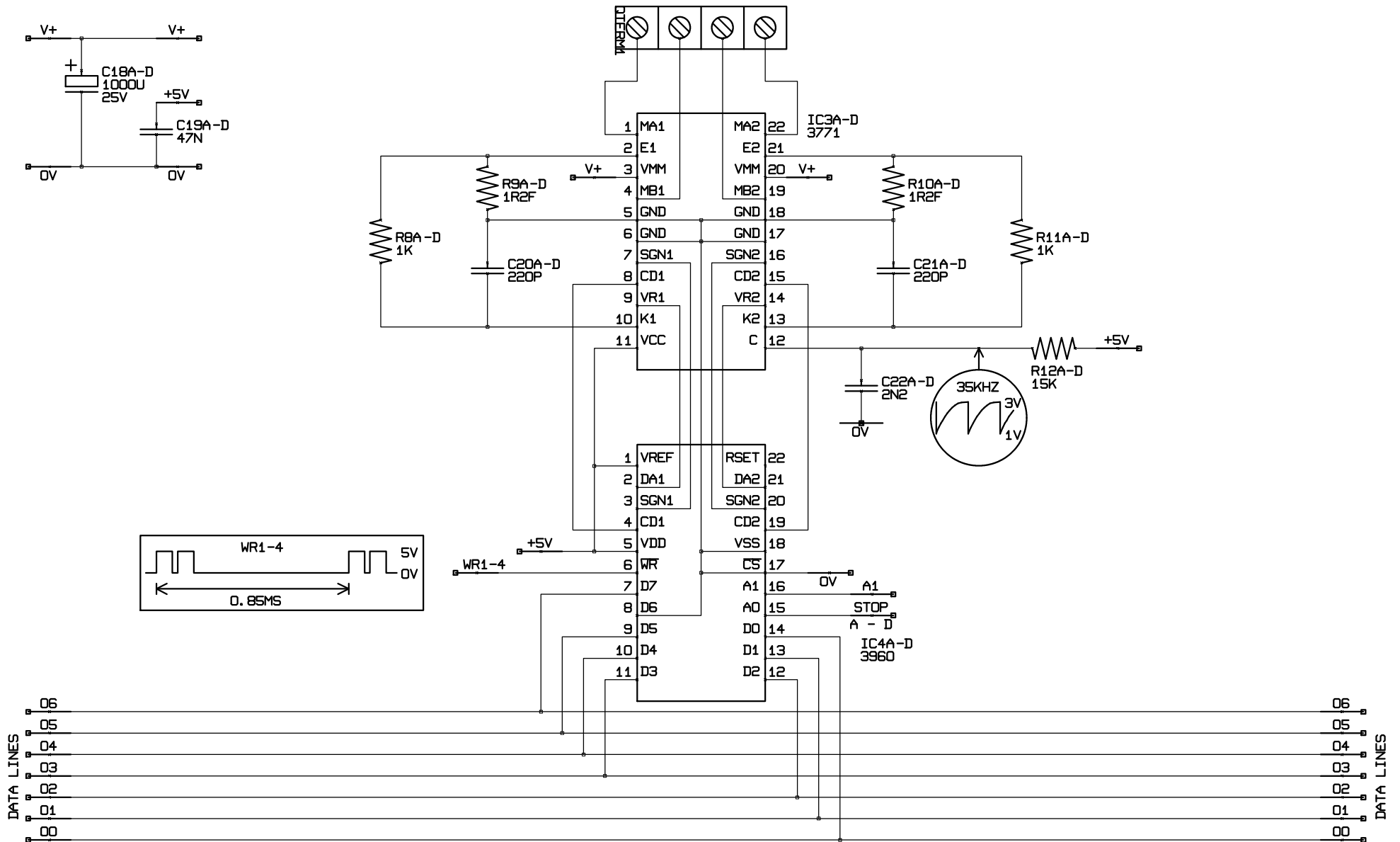
INVERT

MINISCAN	- FROM SERIAL NO: 5904 TO:
ATLAS	- FROM SERIAL NO: 1557 TO:
SHADOW	- FROM SERIAL NO: 1153 TO:
SILVERADO	- FROM SERIAL NO: 1401 TO:



MINISCAN FROM SERIAL NO: 9760 TO:
 ASTORAGGI FROM SERIAL NO: 1091 TO:
 ATLAS FROM SERIAL NO: 1858 TO:
 COMBICOLOR FROM SERIAL NO: 1968 TO:
 SILVERADO FROM SERIAL NO: 1801 TO:
 SHADOW FROM SERIAL NO: 1761 TO:

TERMINAL BLOCK TO BI-POLAR STEPPER MOTOR



THIS CIRCUIT REPEATS 4 TIMES

FROM SERIAL NO: 1001 TO:

